

ProThermetic Sprint

Electric Tilting Boiling Pan, 150lt Hygienic Profile, Freestanding with Stirrer

ITEM # _____

MODEL # _____

NAME # _____

SIS # _____

AIA # _____


586919 (PBOT15RCES)

Electric tilting Boiling Pan prearranged for stirrer 150lt (h), auto. H/C water filling with swivelling arm, spray gun, rear closing kit, GuideYou Panel, freestanding

586944 (PBOT15RLES)

Electric tilting Boiling Pan prearranged for stirrer 150lt (h), splashback, auto. H/C water filling with swivelling arm, spray gun, rear closing kit, GuideYou Panel, freestanding

Short Form Specification

Item No. _____

AISI 304 stainless steel construction. Deep drawn vessel in AISI 316 stainless steel. Insulated and counterbalanced lid. Motorized tilting with variable speed control. Pan can be tilted beyond 90° to completely empty the food. Stirrer drive shaft included, stirrer blades to be ordered separately. Fixed stirring rotation speed 25rpm. Food is uniformly heated via the base and the side walls by an indirect heating system using saturated steam at a maximum temperature of 125°C, generated in the double jacket, equipped with an automatic deaeration system. Safety valve avoids steam overpressure and safety thermostat protects against low water level in the double jacket.. TOUCH control panel. GuideYou Panel easily guides the user during multiphase recipes. Built in temperature sensors for precise control of cooking process. Machine configuration including swivel arm with automatic water filling, spray gun and rear closing panel. IPX6 water resistant. Installation: Free-standing or Standing against a wall. Installation options (not included): floor mounted on 200mm high feet or a plinth which can be either steel or masonry construction. Dedicated model equipped with splashback as standard. Connectivity available.

Main Features

- Kettle is suitable to boil, steam, poach, pan fry or simmer all kinds of produce.
- Delivered with:
 - swivel arm with automatic hot/cold water filling
 - spray gun
 - rear closing panel
 - C-board (backsplash for the relevant model)
- Motorized, variable pan tilting with "SOFT STOP". Tilting and pouring speeds can be precisely adjusted. Pan can be tilted over 90° to facilitate pouring and cleaning operations.
- Kettle is jacketed up to 159 mm from upper rim.
- Built in temperature sensor to precisely control the cooking process.
- Ergonomic vessel dimensions, with a large diameter and shallow depth facilitates stirring and gentle food handling.
- Isolated upper well rim avoids risk of harm for the user.
- Edge of the large pouring lip can be equipped with a strainer (option).
- USB connection to easily update the software, upload/download recipes and download HACCP data.
- Connectivity ready, to connected appliances from remote via cable and data monitoring, including HACCP (requires optional accessory).
- IPX6 water resistant.
- Max pressure of inner jacket at 1.7 bar; minimum working pressure at 1 bar. Allows temperature control between 50 and 110°C.

Construction

- Cooking vessel in 1.4435 (AISI 316L) stainless steel featuring directional pouring lip. Double-jacket in 1.4404 (AISI 316L) stainless steel designed to operate at a pressure of 1.5 bar.
- External panelling and internal frame made of 1.4301 (AISI 304) stainless steel.
- Minimised presence of narrow gaps for easier cleaning of the sides to meet the highest hygiene standards.
- Double-lined insulated lid in 1.4301 (AISI 304) stainless steel mounted on the cross beam of the unit, counterbalanced by a hinge that remains open in all positions.
- Highly-visible and bright led TOUCH control panel features user-friendly icons and intuitive self-explanatory command options. Display visualizes:
 - Actual and set temperature
 - Set and remaining cooking time
 - Pre-heating phase (if activated)
 - GuideYou Panel (if activated)
 - Deferred start
 - Soft Function to reach the target temperature smoothly
 - 9 Power Control levels from simmering to fierce boiling
 - Pressure mode (in pressure models)
 - Stirrer ON/OFF settings (in round boiling models)
 - Error codes for quick trouble-shooting
 - Maintenance reminders

APPROVAL: _____

- Possibility to store recipes in single or multiphase cooking process, with different temperature settings.
 - GuideYou Panel - activated by the user via settings - to easily follow the multiphase recipes, granting a proper and controlled cooking and a better appliance optimization.
The system will provide maintenance reminders, in line with ESSENTIA program, helping the user to properly take care of the product, avoiding downtimes.
 - Safety thermostat protects against low water level in the double jacket.
 - Safety valve avoids overpressure of the steam in the double jacket.
 - Can be prearranged for energy optimisation or external surveillance systems (optional).
 - Stirrer with rotation speed of 25 RPMs, available as optional accessory.
 - 98% recyclable by weight; packaging material free of toxic substances.
- Manometer for tilting boiling pans - factory fitted PNC 912490
 - Kit energy optimization and potential free contact - factory fitted PNC 912737
 - Mainswitch 60A, 6mm² - factory fitted PNC 912740
 - Food tap 2" for tilting boiling pans (PBOT) - factory fitted PNC 912779
 - Connectivity kit for ProThermetic Boiling and Braising Pans ECAP - factory fitted PNC 913577

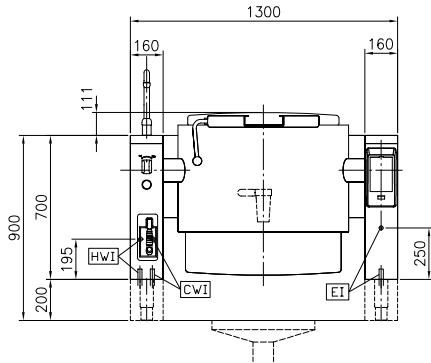
Included Accessories

- 1 of C-board (length 1300mm) for tilting units - factory fitted (only for 586944) PNC 912185
- 1 of Rear closing kit for tilting units - against wall - factory fitted PNC 912705
- 1 of Automatic water filling (hot and cold) for tilting units - to be ordered with water mixer - factory fitted PNC 912735
- 1 of Spray gun for tilting units - freestanding (height 700mm) - factory fitted PNC 912776
- 1 of Emergency stop button - factory fitted PNC 912784

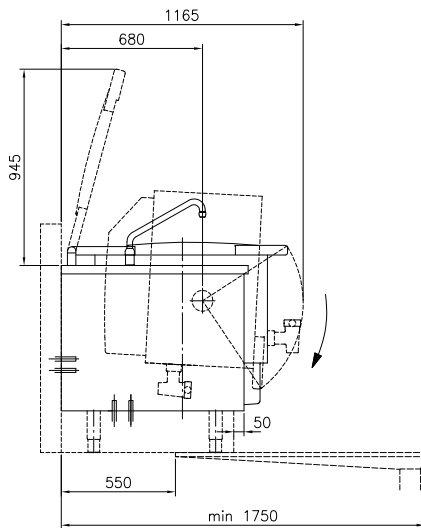
Optional Accessories

- Strainer for 150lt tilting boiling pans PNC 910004
- Measuring rod for 150lt tilting boiling pans PNC 910045
- Grid stirrer for 150lt boiling pans PNC 910064
- Grid stirrer and scraper for 150lt boiling pans PNC 910094
- Food tap strainer rod for stationary round boiling pans PNC 910162
- Stainless steel plinth for tilting units - against wall - factory fitted PNC 911425
- Bottom plate with 2 feet, 200mm for tilting units (height 700mm) - factory fitted PNC 911930
- FOOD TAP STRAINER - PBOT PNC 911966
- MOBILE KIT TxxT/PxxT (VAR.width=S-Code) PNC 912460
- Power Socket, CEE16, built-in, 16A/400V, IP67, red-white - factory fitted PNC 912468
- Power Socket, CEE32, built-in, 32A/400V, IP67, red-white - factory fitted PNC 912469
- Power Socket, SCHUKO, built-in, 16A/230V, IP68, blue-white - factory fitted PNC 912470
- Power Socket, TYP23, built-in, 16A/230V, IP55, black - factory fitted PNC 912471
- Power Socket, TYP25, built-in, 16A/400V, IP55, black - factory fitted PNC 912472

Front

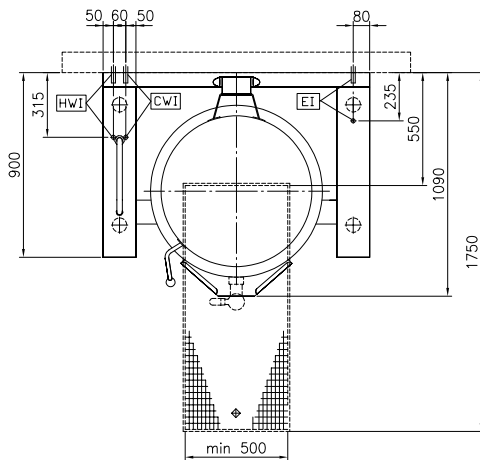


Side

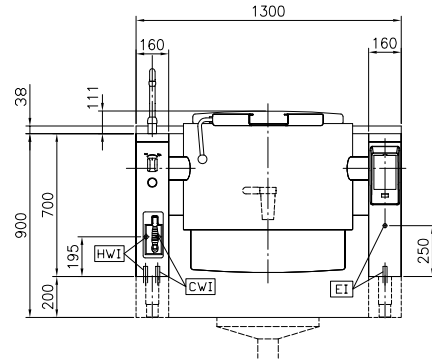


- CWI1 = Cold Water inlet 1 (cleaning)
 EI = Electrical inlet (power)
 HWI = Hot water inlet

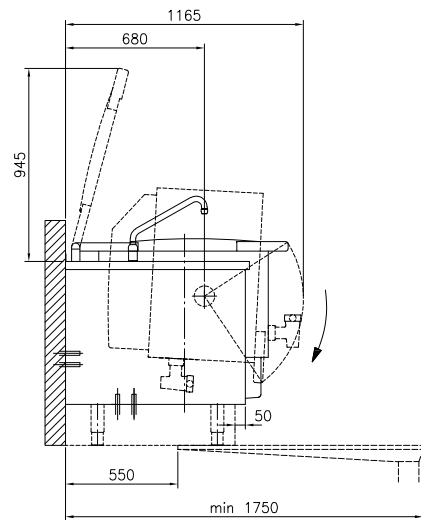
Top



Front

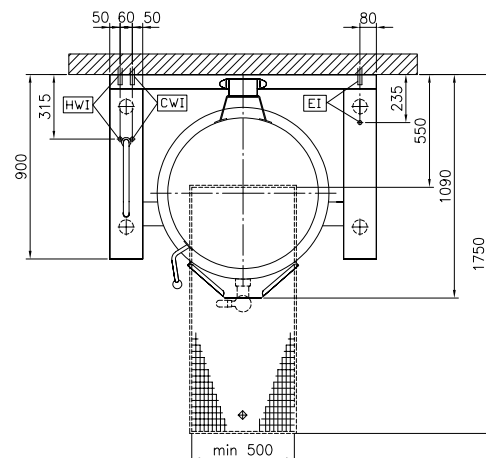


Side



- CWI1 = Cold Water inlet 1 (cleaning)
 EI = Electrical inlet (power)
 HWI = Hot water inlet

Top



Electric**Supply voltage:**

586919 (PBOT15RCES) 400 V/3N ph/50/60 Hz

586944 (PBOT15RLES) 400 V/3N ph/50/60 Hz

Total Watts: 24.6**Installation:****Type of installation:**FS on concrete base;FS
on feet;On base;Standing
against wall**Key Information:****Configuration:**

586919 (PBOT15RCES)

Round;Tilting;Pre-
arranged for stirrer

586944 (PBOT15RLES)

Round;Tilting;Pre-
arranged for stirrer;With
splashback**Working Temperature MIN:** 50 °C**Working Temperature
MAX:** 110 °C**Vessel (round) diameter:** 710 mm**Vessel (round) depth:** 465 mm**External dimensions,
Width:** 1300 mm**External dimensions,
Depth:** 900 mm**External dimensions,
Height:** 700 mm**Net weight:** 290 kg**Net vessel useful capacity:** 150 lt**Tilting mechanism:** Automatic**Double jacketed lid:** ✓**Heating type:** Indirect